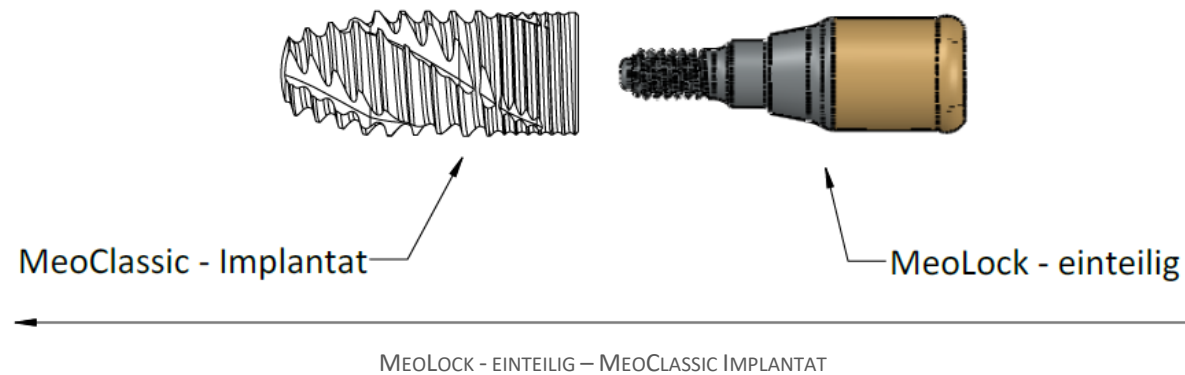


Inhaltsverzeichnis

1	MeoLock - einteilig – MeoClassic Implantat	2
2	MeoLock - einteilig – MeoTulip Implantat	3
3	MeoLock - einteilig – MeoLock Einbringinstrument • Funktionsdarstellung •	5
4	MeoLock - einteilig – Modellanalog Standard	6
5	MeoLock - einteilig – Modellanalog CAD/CAM.....	7

1 MEOLOCK - EINTEILIG – MEOCLASSIC IMPLANTAT

Produktbeschreibung	REF	MeoLock - einteilig GH 1mm	MeoLock - einteilig GH 2mm	MeoLock - einteilig GH 3mm	MeoLock - einteilig GH 4mm	MeoLock - einteilig GH 5mm	MeoLock - einteilig GH 6mm
		S-040-500101	S-040-500102	S-040-500103	S-040-500104	S-040-500105	S-040-500106
MeoClassic Ø3,5x8mm	S-001-350080	✓	✓	✓	✓	✓	✓
MeoClassic Ø3,5x10mm	S-001-350100	✓	✓	✓	✓	✓	✓
MeoClassic Ø3,5x12,5mm	S-001-350125	✓	✓	✓	✓	✓	✓
MeoClassic Ø3,5x15mm	S-001-350150	✓	✓	✓	✓	✓	✓
MeoClassic Ø3,8x8mm	S-001-380080	✓	✓	✓	✓	✓	✓
MeoClassic Ø3,8x10mm	S-001-380100	✓	✓	✓	✓	✓	✓
MeoClassic Ø3,8x12,5mm	S-001-380125	✓	✓	✓	✓	✓	✓
MeoClassic Ø3,8x15mm	S-001-380150	✓	✓	✓	✓	✓	✓
MeoClassic Ø4,2x8mm	S-001-420080	✓	✓	✓	✓	✓	✓
MeoClassic Ø4,2x10mm	S-001-420100	✓	✓	✓	✓	✓	✓
MeoClassic Ø4,2x12,5mm	S-001-420125	✓	✓	✓	✓	✓	✓
MeoClassic Ø4,2x15mm	S-001-420150	✓	✓	✓	✓	✓	✓
MeoTulip Ø4,8x6mm	S-001-480060	✓	✓	✓	✓	✓	✓
MeoClassic Ø4,8x8mm	S-001-480080	✓	✓	✓	✓	✓	✓
MeoClassic Ø4,8x10mm	S-001-480100	✓	✓	✓	✓	✓	✓
MeoClassic Ø4,8x12,5mm	S-001-480125	✓	✓	✓	✓	✓	✓
MeoClassic Ø4,8x15mm	S-001-480150	✓	✓	✓	✓	✓	✓
MeoTulip Ø6,0x6mm	S-001-600060	✓	✓	✓	✓	✓	✓
MeoClassic Ø6,0x8mm	S-001-600080	✓	✓	✓	✓	✓	✓
MeoClassic Ø6,0x10mm	S-001-600100	✓	✓	✓	✓	✓	✓



2 MEOLOCK - EINTEILIG – MEO TULIP IMPLANTAT

Produktbeschreibung	REF	MeoLock - einteilig GH 1mm	MeoLock - einteilig GH 2mm	MeoLock - einteilig GH 3mm	MeoLock - einteilig GH 4mm	MeoLock - einteilig GH 5mm	MeoLock - einteilig GH 6mm
		S-040-500101	S-040-500102	S-040-500103	S-040-500104	S-040-500105	S-040-500106
MeoTulip Ø3,5 x 8mm	S-002-350080	✓	✓	✓	✓	✓	✓
MeoTulip Ø3,5 x 10mm	S-002-350100	✓	✓	✓	✓	✓	✓
MeoTulip Ø3,5 x 12,5mm	S-002-350125	✓	✓	✓	✓	✓	✓
MeoTulip Ø3,8 x 8mm	S-002-380080	✓	✓	✓	✓	✓	✓
MeoTulip Ø3,8 x 10mm	S-002-380100	✓	✓	✓	✓	✓	✓
MeoTulip Ø3,8 x 12,5mm	S-002-380125	✓	✓	✓	✓	✓	✓
MeoTulip Ø4,2 x 8mm	S-002-420080	✓	✓	✓	✓	✓	✓
MeoTulip Ø4,2 x 10mm	S-002-420100	✓	✓	✓	✓	✓	✓
MeoTulip Ø4,2 x 12,5mm	S-002-420125	✓	✓	✓	✓	✓	✓
MeoTulip Ø4,8 x 6mm	S-002-480060	✓	✓	✓	✓	✓	✓
MeoTulip Ø4,8 x 8mm	S-002-480080	✓	✓	✓	✓	✓	✓

MEOLOCK - EINTEILIG

KOMPATIBEL / EIGENSCHAFTEN

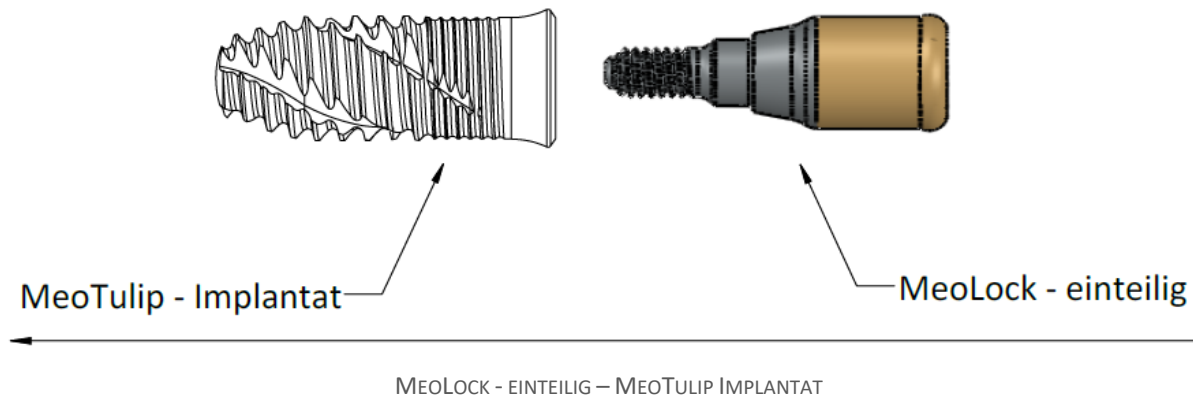
MEOLOCK - EINTEILIG

VERSION: 01

Seite 4 von 7



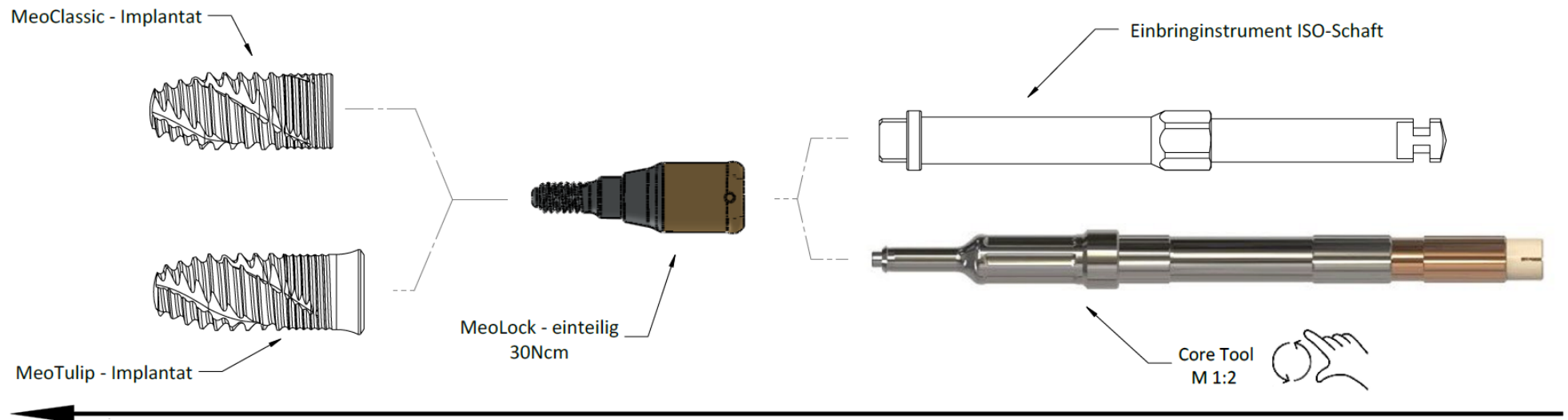
MeoTulip Ø4,8 x 10mm	S-002-480100	✓	✓	✓	✓	✓	✓
MeoTulip Ø4,8 x 12,5mm	S-002-480125	✓	✓	✓	✓	✓	✓
MeoTulip Ø6,0 x 6mm	S-002-600060	✓	✓	✓	✓	✓	✓
MeoTulip Ø6,0 x 8mm	S-002-600080	✓	✓	✓	✓	✓	✓
MeoTulip Ø6,0 x 10mm	S-002-600100	✓	✓	✓	✓	✓	✓



3 MEOLOCK - EINTEILIG – MEOLOCK EINBRINGINSTRUMENT

• FUNKTIONSDARSTELLUNG •

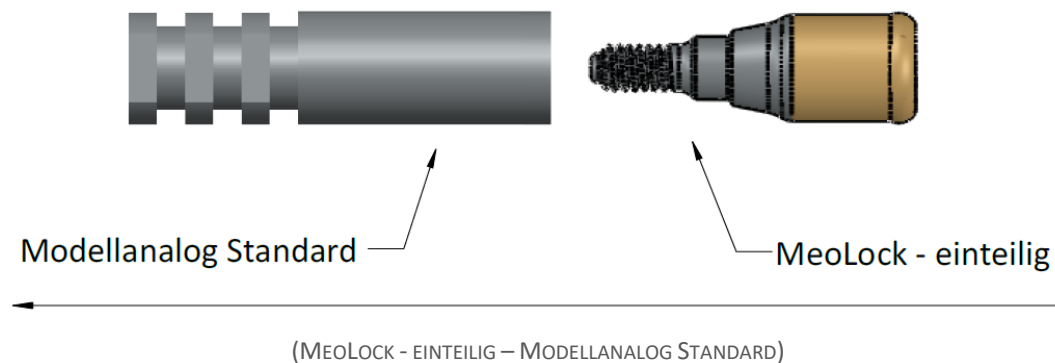
Produktbeschreibung	REF	MeoLock - einteilig GH 1mm	MeoLock - einteilig GH 2mm	MeoLock - einteilig GH 3mm	MeoLock - einteilig GH 4mm	MeoLock - einteilig GH 5mm	MeoLock - einteilig GH 6mm
		S-040-500101	S-040-500102	S-040-500103	S-040-500104	S-040-500105	S-040-500106
Einbringinstrument ISO-Schaft / Länge 25mm	S-002-350080	✓	✓	✓	✓	✓	✓
Einbringinstrument ISO-Schaft / Länge 31mm	S-002-350100	✓	✓	✓	✓	✓	✓
Core Tool Universal Instrument	S-002-350125	✓	✓	✓	✓	✓	✓



MEOLOCK - EINTEILIG – MEOLOCK EINBRINGINSTRUMENT ISO-SCHAFT
 CORE TOOL – UNIVERSAL INSTRUMENT

4 MEOLOCK - EINTEILIG – MODELLANALOG STANDARD

Produktbeschreibung	REF	MeoLock - einteilig GH 1mm	MeoLock - einteilig GH 2mm	MeoLock - einteilig GH 3mm	MeoLock - einteilig GH 4mm	MeoLock - einteilig GH 5mm	MeoLock - einteilig GH 6mm
		S-040-500101	S-040-500102	S-040-500103	S-040-500104	S-040-500105	S-040-500106
Modellanalog Standard	A-006-380600	✓	✓	✓	✓	✓	✓



5 MEOLOCK - EINTEILIG – MODELLANALOG CAD/CAM

Produktbeschreibung	REF	MeoLock - einteilig GH 1mm	MeoLock - einteilig GH 2mm	MeoLock - einteilig GH 3mm	MeoLock - einteilig GH 4mm	MeoLock - einteilig GH 5mm	MeoLock - einteilig GH 6mm
		S-040-500101	S-040-500102	S-040-500103	S-040-500104	S-040-500105	S-040-500106
Modellanalog CAD/CAM	A-006-100200	✓	✓	✓	✓	✓	✓

