

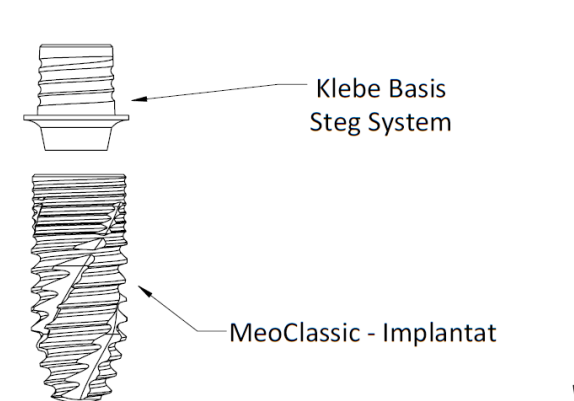


## Inhaltsverzeichnis

1	Klebe-Basis Steg-System – MeoClassic Implantat .....	2
2	Klebe-Basis Steg-System – MeoTulip Implantat .....	3
3	Klebe-Basis Steg-System– Verbindungsschraube .....	4
4	Klebe-Basis Steg-System – 1.4 Sechskantinstrument ISO-Schaft • Funktionsdarstellung • .....	5
5	Klebe-Basis Steg-System – 1.4 Sechskantinstrument HS/RS • Funktionsdarstellung • .....	6
6	Klebe-Basis Steg-System– Modellanalog Standard.....	7
7	Klebe-Basis Steg-System – Modellanalog CAD/CAM.....	8

## 1 KLEBE-BASIS STEG-SYSTEM – MEOCLASSIC IMPLANTAT

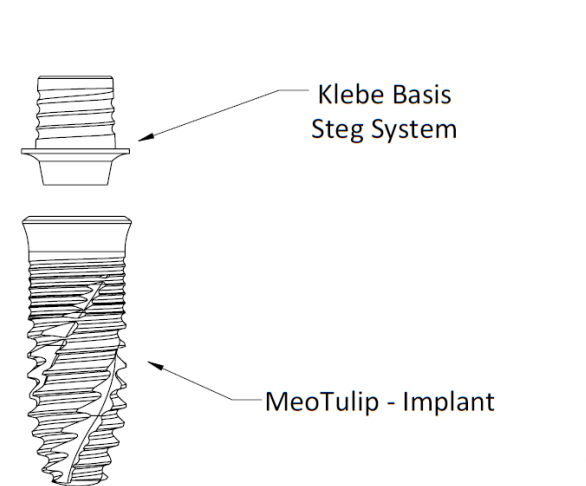
Produktbeschreibung	REF	Klebe-Basis Steg-System
		S-020-450500
MeoClassic Ø3,5x8mm	S-001-350080	✓
MeoClassic Ø3,5x10mm	S-001-350100	✓
MeoClassic Ø3,5x12,5mm	S-001-350125	✓
MeoClassic Ø3,5x15mm	S-001-350150	✓
MeoClassic Ø3,8x8mm	S-001-380080	✓
MeoClassic Ø3,8x10mm	S-001-380100	✓
MeoClassic Ø3,8x12,5mm	S-001-380125	✓
MeoClassic Ø3,8x15mm	S-001-380150	✓
MeoClassic Ø4,2x8mm	S-001-420080	✓
MeoClassic Ø4,2x10mm	S-001-420100	✓
MeoClassic Ø4,2x12,5mm	S-001-420125	✓
MeoClassic Ø4,2x15mm	S-001-420150	✓
MeoTulip Ø4,8x6mm	S-001-480060	✓
MeoClassic Ø4,8x8mm	S-001-480080	✓
MeoClassic Ø4,8x10mm	S-001-480100	✓
MeoClassic Ø4,8x12,5mm	S-001-480125	✓
MeoClassic Ø4,8x15mm	S-001-480150	✓
MeoTulip Ø6,0x6mm	S-001-600060	✓
MeoClassic Ø6,0x8mm	S-001-600080	✓
MeoClassic Ø6,0x10mm	S-001-600100	✓



KLEBE-BASIS STEG-SYSTEM – MEOCLASSIC IMPLANTAT

## 2 KLEBE-BASIS STEG-SYSTEM – MEOTULIP IMPLANTAT

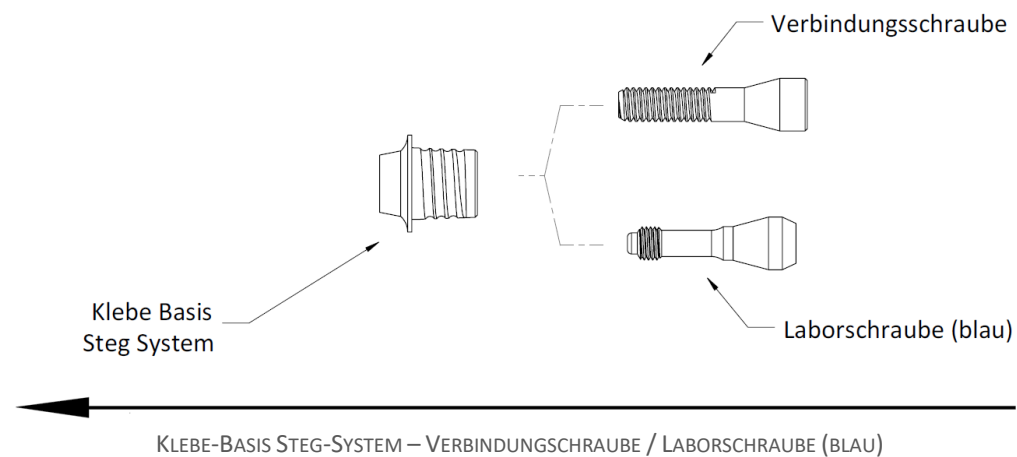
Produktbeschreibung	REF	Klebe-Basis Steg-System
		S-020-450500
MeoTulip Ø3,5 x 8mm	S-002-350080	✓
MeoTulip Ø3,5 x 10mm	S-002-350100	✓
MeoTulip Ø3,5 x 12,5mm	S-002-350125	✓
MeoTulip Ø3,8 x 8mm	S-002-380080	✓
MeoTulip Ø3,8 x 10mm	S-002-380100	✓
MeoTulip Ø3,8 x 12,5mm	S-002-380125	✓
MeoTulip Ø4,2 x 8mm	S-002-420080	✓
MeoTulip Ø4,2 x 10mm	S-002-420100	✓
MeoTulip Ø4,2 x 12,5mm	S-002-420125	✓
MeoTulip Ø4,8 x 6mm	S-002-480060	✓
MeoTulip Ø4,8 x 8mm	S-002-480080	✓
MeoTulip Ø4,8 x 10mm	S-002-480100	✓
MeoTulip Ø4,8 x 12,5mm	S-002-480125	✓
MeoTulip Ø6,0 x 6mm	S-002-600060	✓
MeoTulip Ø6,0 x 8mm	S-002-600080	✓
MeoTulip Ø6,0 x 10mm	S-002-600100	✓



KLEBE-BASIS STEG-SYSTEM – MEOTULIP IMPLANTAT

## 3 KLEBE-BASIS STEG-SYSTEM • VERBINDUNGSSCHRAUBE

Produktbeschreibung	REF	Klebe-Basis Steg-System
		S-020-450500
Verbindungsschraube	A-007-099099	✓
Labor-Schraube (blau)	A-0077-88088	✓

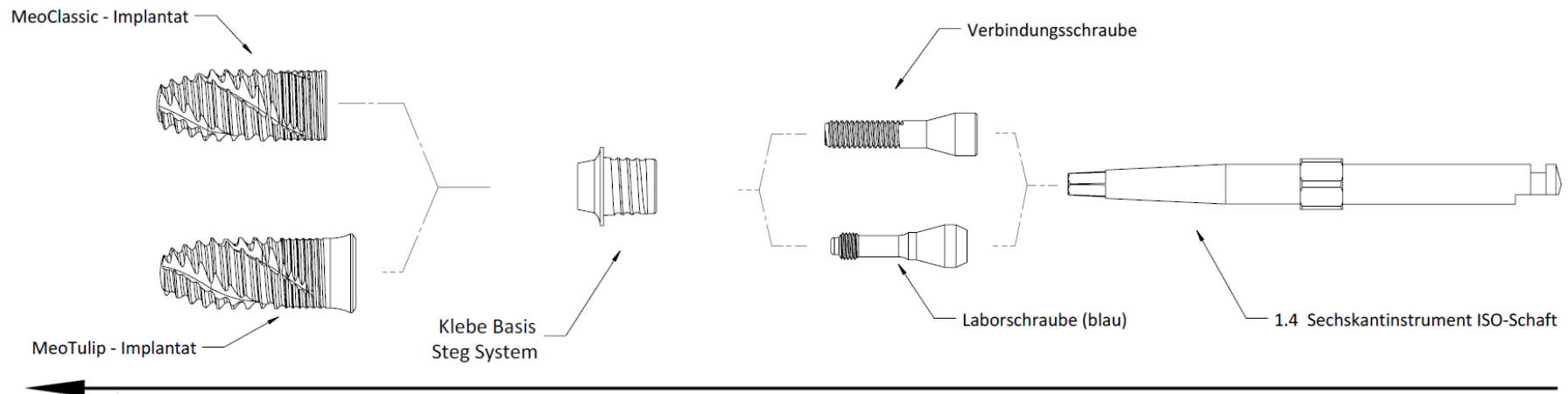


## 4 KLEBE-BASIS STEG-SYSTEM – 1.4 SECHSKANTINSTRUMENT ISO-SCHAFT

### • FUNKTIONSDARSTELLUNG •

mit Verbindungsschraube oder Laborschraube (blau)

Produktbeschreibung	REF	Klebe-Basis Steg-System
		S-020-450500
1.4 Sechskantinstrument ISO-Schaft - 45mm	A-015-099077	✓
1.4 Sechskantinstrument ISO-Schaft - 28mm	A-015-099088	✓
1.4 Sechskantinstrument ISO-Schaft - 24mm	A-015-099099	✓



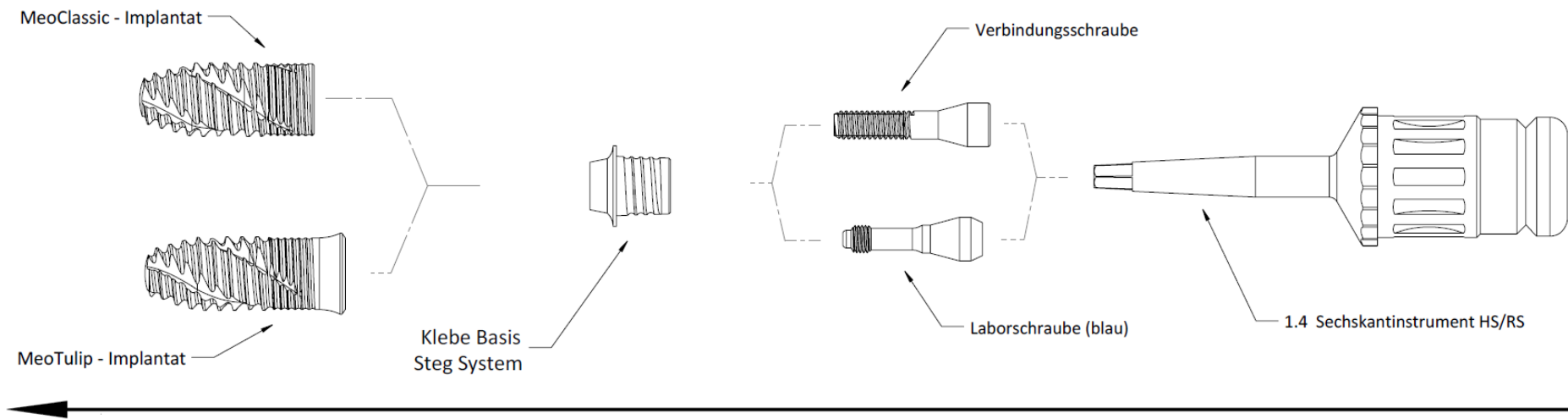
KLEBE-BASIS STEG-SYSTEM – 1.4 SECHSKANTINSTRUMENT ISO-SCHAFT  
 VERBINDUNGSSCHRAUBE / LABORSCHRAUBE (BLAU)

## 5 KLEBE-BASIS STEG-SYSTEM • 1.4 SECHSKANTINSTRUMENT HS/RS

### • FUNKTIONSDARSTELLUNG •

mit Verbindungsschraube oder Laborschraube (blau)

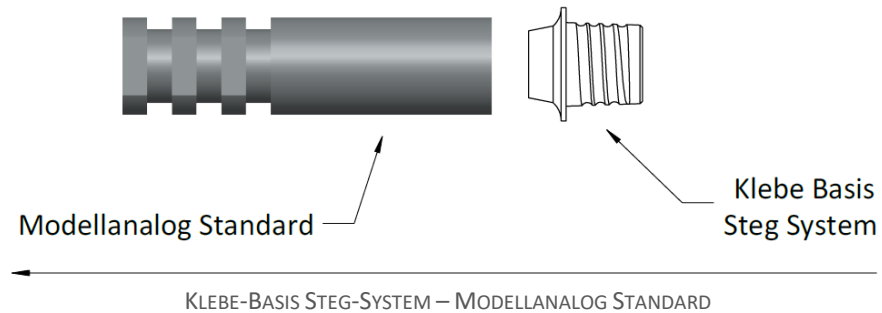
Produktbeschreibung	REF	Verbindungsschraube
		A-007-099099
1.4 Sechskantinstrument HS/RS - 9.5mm	A-015-099023	✓
1.4 Sechskantinstrument HS/RS - 13.5mm	A-015-099025	✓
1.4 Sechskantinstrument HS/RS - 17.5mm	A-015-099025	✓



KLEBE-BASIS STEG-SYSTEM – 1.4 SECHSKANTINSTRUMENT HS/RS  
 VERBINDUNGSSCHRAUBE / LABORSCHRAUBE (BLAU)

## 6 KLEBE-BASIS STEG-SYSTEM • MODELLANALOG STANDARD

Produktbeschreibung	REF	Klebe-Basis Steg-System
		S-020-450500
Modellanalog Standard	A-006-380600	✓



## 7 KLEBE-BASIS STEG-SYSTEM – MODELLANALOG CAD/CAM

Produktbeschreibung	REF	Klebe-Basis Steg-System
		S-020-450500
Modellanalog CAD/CAM	A-006-100200	✓

