

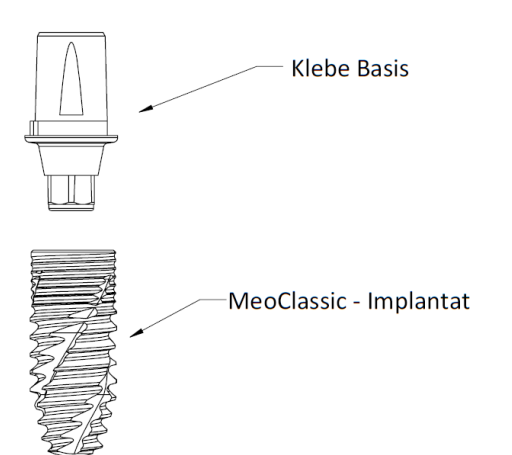


Inhaltsverzeichnis

1	Klebe Basis – MeoClassic Implantat	2
2	Klebe Basis – MeoTulip Implantat	3
3	Klebe Basis– Verbindungsschraube	4
4	Klebe Basis – 1.4 Sechskantinstrument ISO-Schaft • Funktionsdarstellung •	5
5	Klebe Basis – 1.4 Sechskantinstrument HS/RS • Funktionsdarstellung •	6
6	Klebe Basis– Modellanalog Standard.....	7
7	Klebe Basis – Modellanalog CAD/CAM	8

1 KLEBE BASIS – MEOCLASSIC IMPLANTAT

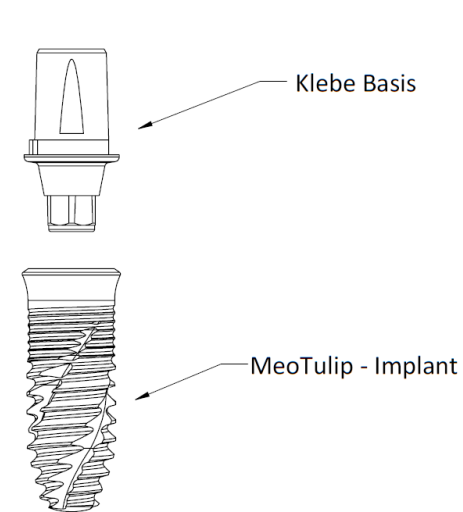
Produktbeschreibung	REF	Klebe Basis 0.0mm	Klebe Basis 0.8mm
		S-009-450500	S-009-450508
MeoClassic Ø3,5x8mm	S-001-350080	✓	✓
MeoClassic Ø3,5x10mm	S-001-350100	✓	✓
MeoClassic Ø3,5x12,5mm	S-001-350125	✓	✓
MeoClassic Ø3,5x15mm	S-001-350150	✓	✓
MeoClassic Ø3,8x8mm	S-001-380080	✓	✓
MeoClassic Ø3,8x10mm	S-001-380100	✓	✓
MeoClassic Ø3,8x12,5mm	S-001-380125	✓	✓
MeoClassic Ø3,8x15mm	S-001-380150	✓	✓
MeoClassic Ø4,2x8mm	S-001-420080	✓	✓
MeoClassic Ø4,2x10mm	S-001-420100	✓	✓
MeoClassic Ø4,2x12,5mm	S-001-420125	✓	✓
MeoClassic Ø4,2x15mm	S-001-420150	✓	✓
MeoTulip Ø4,8x6mm	S-001-480060	✓	✓
MeoClassic Ø4,8x8mm	S-001-480080	✓	✓
MeoClassic Ø4,8x10mm	S-001-480100	✓	✓
MeoClassic Ø4,8x12,5mm	S-001-480125	✓	✓
MeoClassic Ø4,8x15mm	S-001-480150	✓	✓
MeoTulip Ø6,0x6mm	S-001-600060	✓	✓
MeoClassic Ø6,0x8mm	S-001-600080	✓	✓
MeoClassic Ø6,0x10mm	S-001-600100	✓	✓



KLEBE BASIS – MEOCLASSIC IMPLANTAT

2 KLEBE BASIS – MEOTULIP IMPLANTAT

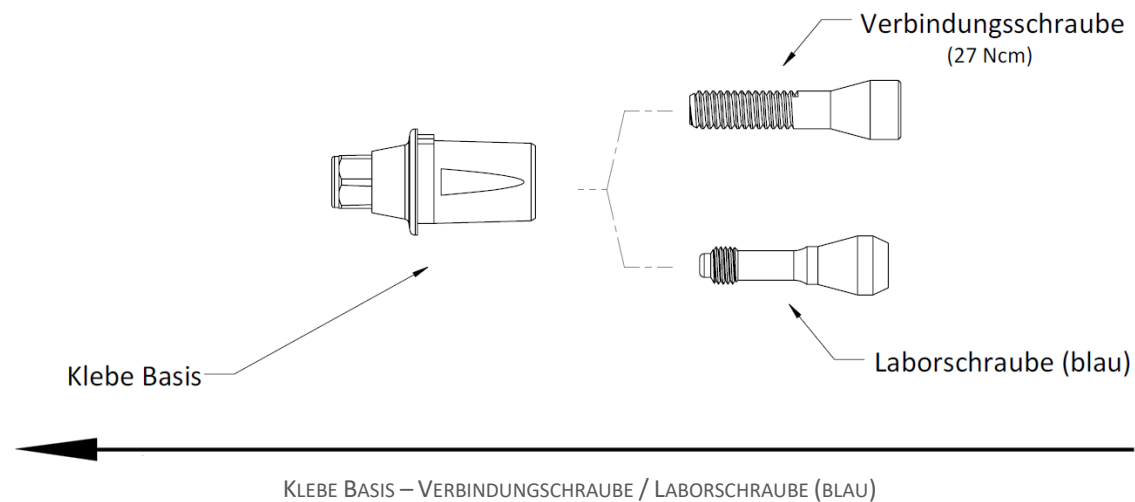
Produktbeschreibung	REF	Klebe Basis 0.0mm	Klebe Basis 0.8mm
		S-009-450500	S-009-450508
MeoTulip Ø3,5 x 8mm	S-002-350080	✓	✓
MeoTulip Ø3,5 x 10mm	S-002-350100	✓	✓
MeoTulip Ø3,5 x 12,5mm	S-002-350125	✓	✓
MeoTulip Ø3,8 x 8mm	S-002-380080	✓	✓
MeoTulip Ø3,8 x 10mm	S-002-380100	✓	✓
MeoTulip Ø3,8 x 12,5mm	S-002-380125	✓	✓
MeoTulip Ø4,2 x 8mm	S-002-420080	✓	✓
MeoTulip Ø4,2 x 10mm	S-002-420100	✓	✓
MeoTulip Ø4,2 x 12,5mm	S-002-420125	✓	✓
MeoTulip Ø4,8 x 6mm	S-002-480060	✓	✓
MeoTulip Ø4,8 x 8mm	S-002-480080	✓	✓
MeoTulip Ø4,8 x 10mm	S-002-480100	✓	✓
MeoTulip Ø4,8 x 12,5mm	S-002-480125	✓	✓
MeoTulip Ø6,0 x 6mm	S-002-600060	✓	✓
MeoTulip Ø6,0 x 8mm	S-002-600080	✓	✓
MeoTulip Ø6,0 x 10mm	S-002-600100	✓	✓



KLEBE BASIS – MEOTULIP IMPLANTAT

3 KLEBE BASIS- VERBINDUNGSSCHRAUBE

Produktbeschreibung	REF	Klebe Basis 0.0mm	Klebe Basis 0.8mm
		S-009-450500	S-009-450508
Verbindungsschraube	A-007-099099	✓	✓
Labor-Schraube (blau)	A-0077-88088	✓	✓

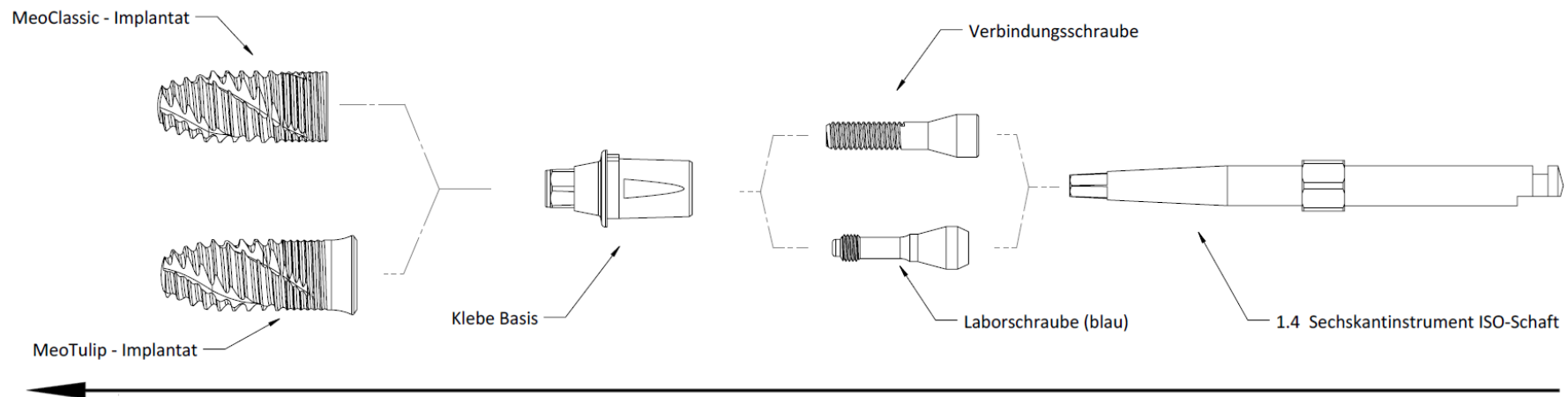


4 KLEBE BASIS – 1.4 SECHSKANTINSTRUMENT ISO-SCHAFT

• FUNKTIONSDARSTELLUNG •

mit Verbindungsschraube oder Laborschraube (blau)

Produktbeschreibung	REF	Verbindungs- schraube	Labor-Schraube (blau)
		A-007-099099	A-007-088088
1.4 Sechskantinstrument ISO-Schaft - 45mm	A-015-099077	✓	✓
1.4 Sechskantinstrument ISO-Schaft - 28mm	A-015-099088	✓	✓
1.4 Sechskantinstrument ISO-Schaft - 24mm	A-015-099099	✓	✓



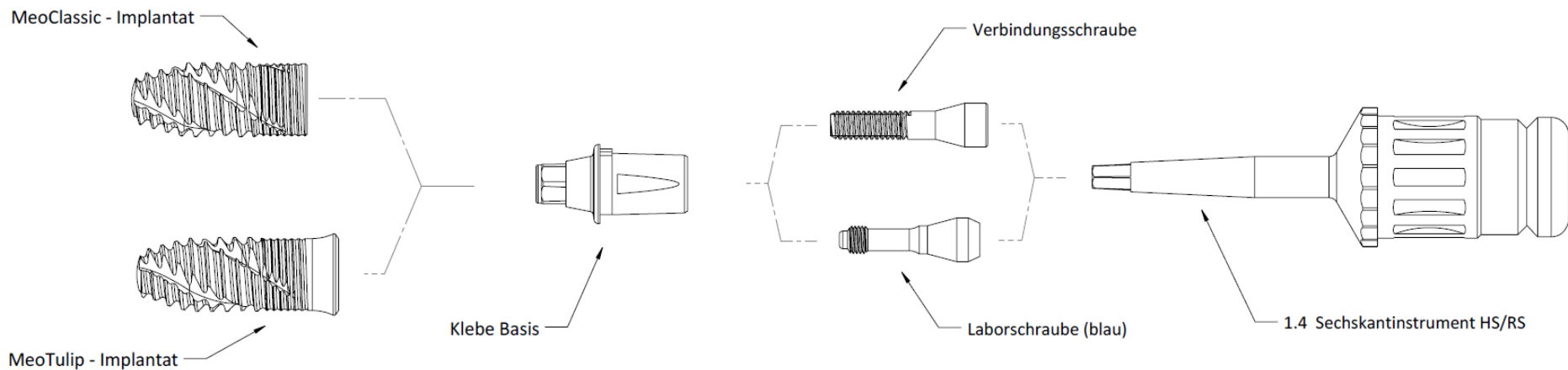
KLEBE BASIS – 1.4 SECHSKANTINSTRUMENT ISO-SCHAFT
VERBINDUNGSSCHRAUBE / LABORSCHRAUBE (BLAU)

5 KLEBE BASIS – 1.4 SECHSKANTINSTRUMENT HS/RS

• FUNKTIONSDARSTELLUNG •

mit Verbindungsschraube oder Laborschraube (blau)

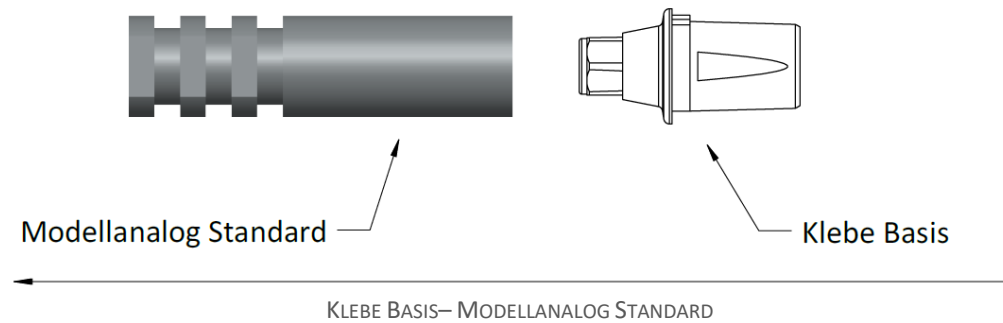
Produktbeschreibung	REF	Verbindungsschraube	Labor-Schraube (blau)
		A-007-099099	A-007-088088
1.4 Sechskantinstrument HS/RS - 9.5mm	A-015-099023	✓	✓
1.4 Sechskantinstrument HS/RS - 13.5mm	A-015-099025	✓	✓
1.4 Sechskantinstrument HS/RS - 17.5mm	A-015-099025	✓	✓



KLEBE BASIS-1.4 SECHSKANTINSTRUMENT HS/RS
VERBINDUNGSSCHRAUBE / LABORSCHRAUBE (BLAU)

6 KLEBE BASIS– MODELLANALOG STANDARD

Produktbeschreibung	REF	Klebe Basis 0.0mm	Klebe Basis 0.8mm
		S-009-450500	S-009-450508
Modellanalog Standard	A-006-380600	✓	✓



7 KLEBE BASIS – MODELLANALOG CAD/CAM

Produktbeschreibung	REF	Klebe Basis 0.0mm	Klebe Basis 0.8mm
		S-009-450500	S-009-450508
Modellanalog CAD/CAM	A-006-100200	✓	✓

