



Inhaltsverzeichnis:

1	MeoMulti 17° ohne Hex – MeoClassic Implantat.....	3
2	MeoMulti 17° ohne Hex – MeoTulip Implantat	4
3	MeoMulti 17° ohne Hex – Verbindungsschraube	5
4	MeoMulti 17° ohne Hex – Prothetikaufbau.....	6
5	MeoMulti 17° ohne Hex – Klebebasis	7
6	MeoMulti 17° ohne Hex – MeoLock 1mm	8
7	MeoMulti 17° ohne Hex – Schutzkappe	9
8	MeoMulti 17° ohne Hex – MeoMulti Scanbody	10
9	MeoMulti 17° ohne Hex – Abdruckpfosten.....	11



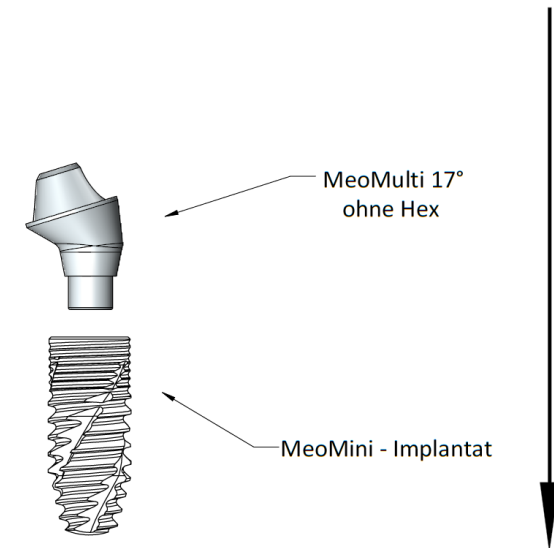
10 MeoMulti 17° ohne Hex / Sechskantinstrumet • Funktionsdarstellung • 12

11 MeoMulti 17° ohne Hex – Modellanalog Standard 13

12 MeoMulti 17° ohne Hex – Modellanalog CAD/CAM 14

1 MEOMULTI 17° OHNE HEX – MEOCLASSIC IMPLANTAT

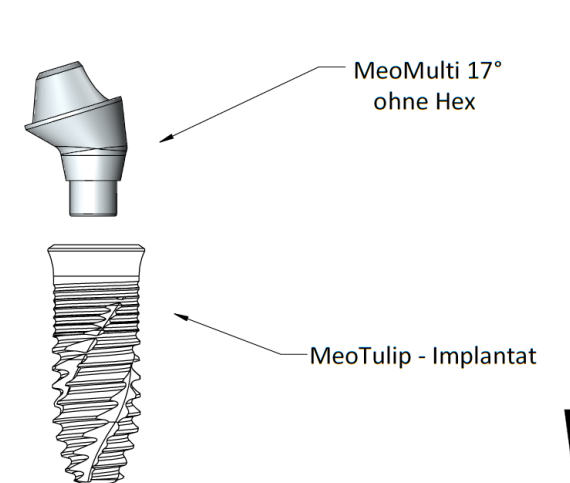
Produktbeschreibung	REF	MeoMulti 17° ohne Hex - GH 0.7mm	MeoMulti 17° ohne Hex - GH 1.5mm	MeoMulti 17° ohne Hex - GH 3.5mm
		S-008-581705	S-008-581715	S-008-581735
MeoClassic Ø3,5x8mm	S-001-350080	✓	✓	✓
MeoClassic Ø3,5x10mm	S-001-350100	✓	✓	✓
MeoClassic Ø3,5x12,5mm	S-001-350125	✓	✓	✓
MeoClassic Ø3,5x15mm	S-001-350150	✓	✓	✓
MeoClassic Ø3,8x8mm	S-001-380080	✓	✓	✓
MeoClassic Ø3,8x10mm	S-001-380100	✓	✓	✓
MeoClassic Ø3,8x12,5mm	S-001-380125	✓	✓	✓
MeoClassic Ø3,8x15mm	S-001-380150	✓	✓	✓
MeoClassic Ø4,2x8mm	S-001-420080	✓	✓	✓
MeoClassic Ø4,2x10mm	S-001-420100	✓	✓	✓
MeoClassic Ø4,2x12,5mm	S-001-420125	✓	✓	✓
MeoClassic Ø4,2x15mm	S-001-420150	✓	✓	✓
MeoTulip Ø4,8x6mm	S-001-480060	✓	✓	✓
MeoClassic Ø4,8x8mm	S-001-480080	✓	✓	✓
MeoClassic Ø4,8x10mm	S-001-480100	✓	✓	✓
MeoClassic Ø4,8x12,5mm	S-001-480125	✓	✓	✓
MeoClassic Ø4,8x15mm	S-001-480150	✓	✓	✓
MeoTulip Ø6,0x6mm	S-001-600060	✓	✓	✓
MeoClassic Ø6,0x8mm	S-001-600080	✓	✓	✓
MeoClassic Ø6,0x10mm	S-001-600100	✓	✓	✓



MEOMULTI 17° OHNE HEX – MEOCLASSIC IMPLANTAT

2 MEOMULTI 17° OHNE HEX – MEOTULIP IMPLANTAT

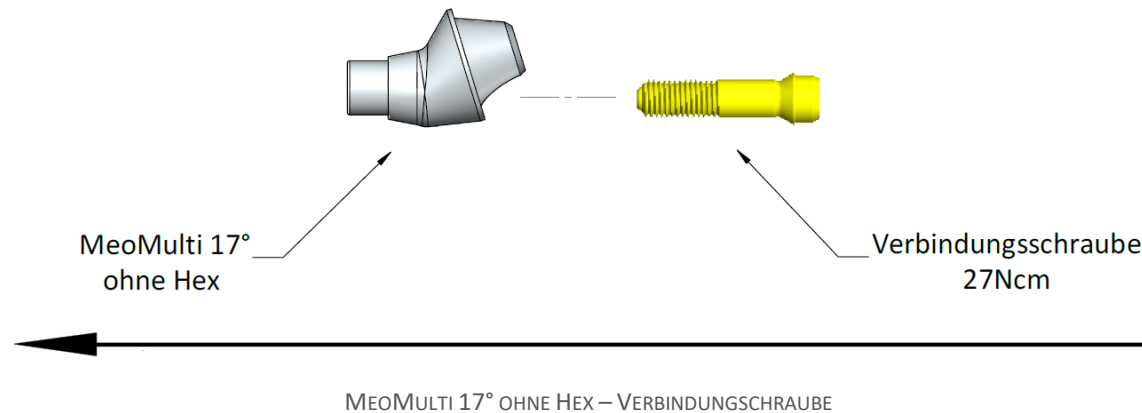
Produktbeschreibung	REF	MeoMulti 17° ohne Hex - GH 0.7mm	MeoMulti 17° ohne Hex - GH 1.5mm	MeoMulti 17° ohne Hex - GH 3.5mm
		S-008-581705	S-008-581715	S-008-581735
MeoTulip Ø3,5 x 8mm	S-002-350080	✓	✓	✓
MeoTulip Ø3,5 x 10mm	S-002-350100	✓	✓	✓
MeoTulip Ø3,5 x 12,5mm	S-002-350125	✓	✓	✓
MeoTulip Ø3,8 x 8mm	S-002-380080	✓	✓	✓
MeoTulip Ø3,8 x 10mm	S-002-380100	✓	✓	✓
MeoTulip Ø3,8 x 12,5mm	S-002-380125	✓	✓	✓
MeoTulip Ø4,2 x 8mm	S-002-420080	✓	✓	✓
MeoTulip Ø4,2 x 10mm	S-002-420100	✓	✓	✓
MeoTulip Ø4,2 x 12,5mm	S-002-420125	✓	✓	✓
MeoTulip Ø4,8 x 6mm	S-002-480060	✓	✓	✓
MeoTulip Ø4,8 x 8mm	S-002-480080	✓	✓	✓
MeoTulip Ø4,8 x 10mm	S-002-480100	✓	✓	✓
MeoTulip Ø4,8 x 12,5mm	S-002-480125	✓	✓	✓
MeoTulip Ø6,0 x 6mm	S-002-600060	✓	✓	✓
MeoTulip Ø6,0 x 8mm	S-002-600080	✓	✓	✓
MeoTulip Ø6,0 x 10mm	S-002-600100	✓	✓	✓



MEOMULTI 17° OHNE HEX – MEOTULIP IMPLANTAT

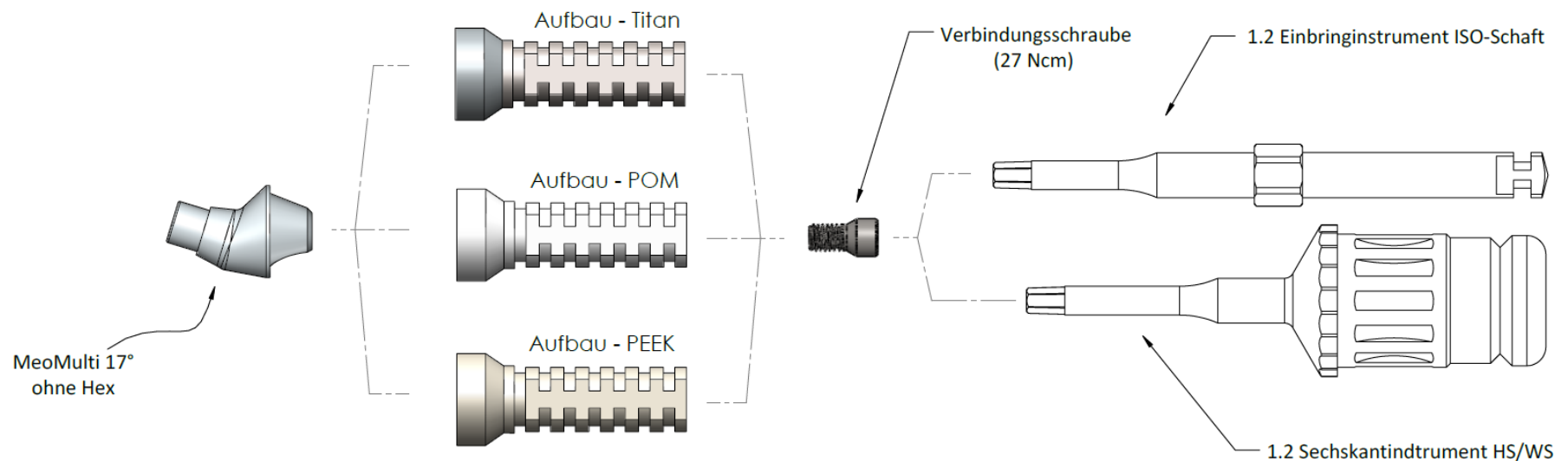
3 MEOMULTI 17° OHNE HEX – VERBINDUNGSSCHRAUBE

Produktbeschreibung	REF	MeoMulti 17° ohne Hex - GH 0.7mm	MeoMulti 17° ohne Hex - GH 1.5mm	MeoMulti 17° ohne Hex - GH 3.5mm
		S-008-581705	S-008-581715	S-008-581735
Verbindungsschraube	A-008-070080	✓	✓	✓



4 MEOMULTI 17° OHNE HEX – PROTHETIKAUFBAU

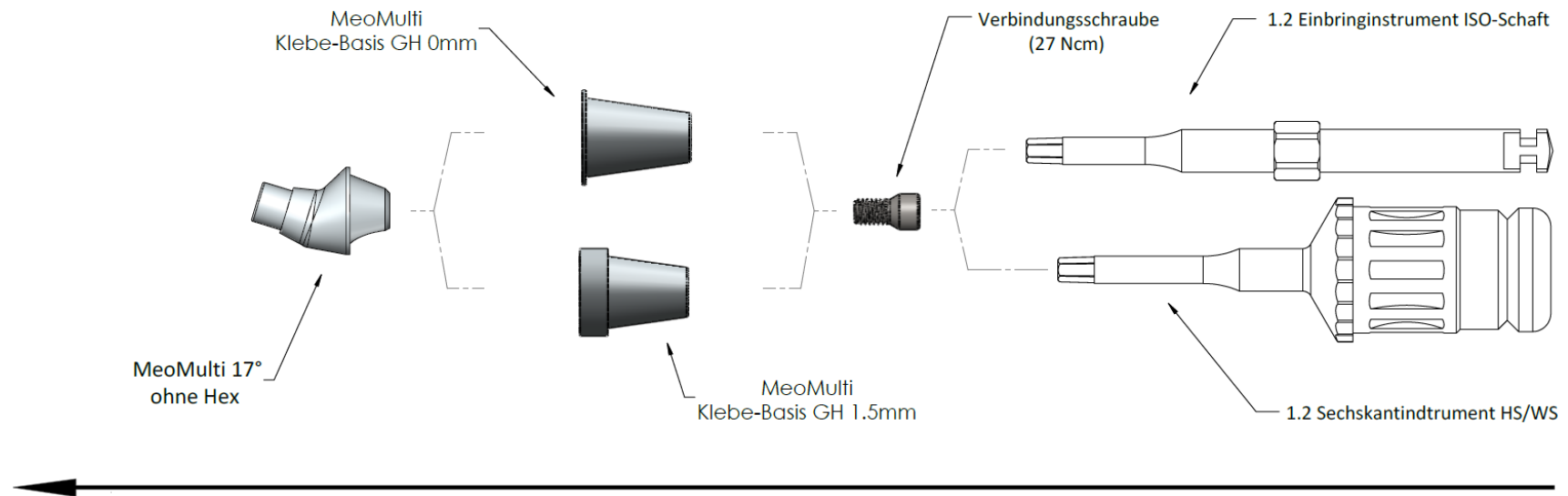
Produktbeschreibung	REF	MeoMulti 17° ohne Hex - GH 0.7mm	MeoMulti 17° ohne Hex - GH 1.5mm	MeoMulti 17° ohne Hex - GH 3.5mm
		S-008-581705	S-008-581715	S-008-581735
MeoMulti Prothetikaufbau Titan	S-008-603385	✓	✓	✓
MeoMulti Prothetikaufbau POM	S-008-604085	✓	✓	✓
MeoMulti Prothetikaufbau PEEK	S-008-605085	✓	✓	✓



MEOMULTI 17° OHNE HEX • MEOMULTI PROTHETIK AUFBAUTEN • VERBINDUNGSSCHRAUBE

5 MEOMULTI 17° OHNE HEX – KLEBEBASIS

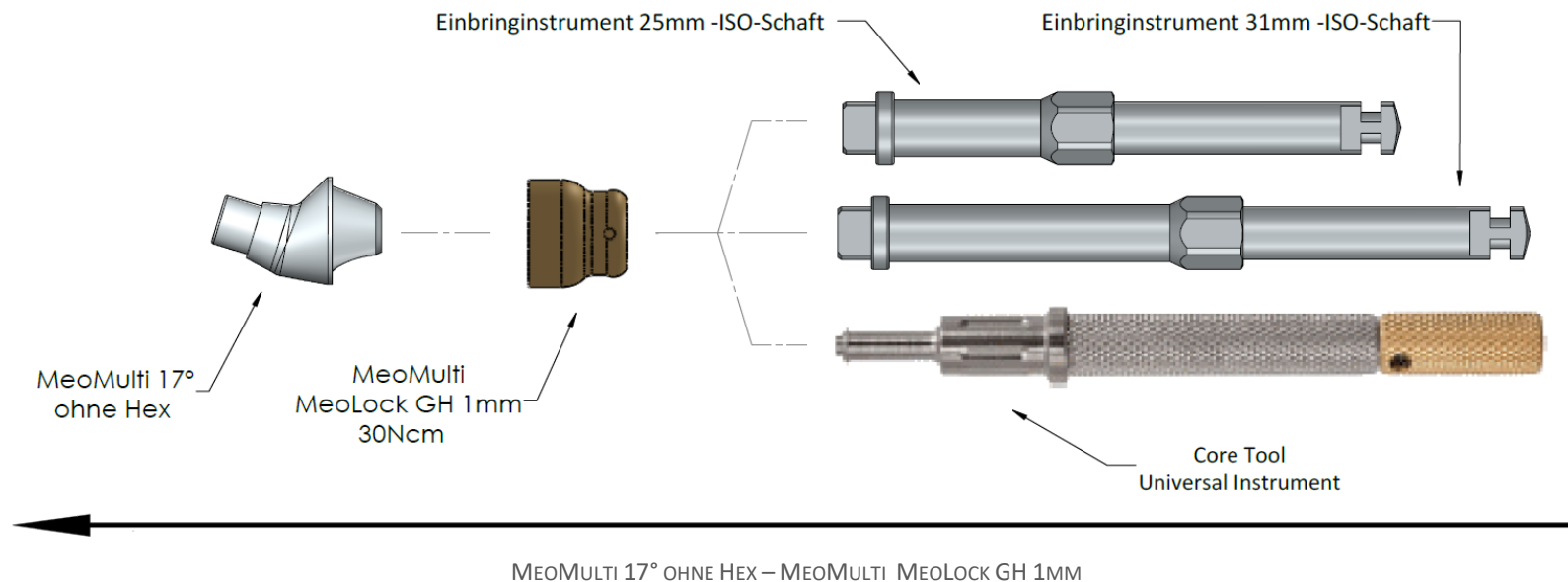
Produktbeschreibung	REF	MeoMulti 17° ohne Hex - GH 0.7mm	MeoMulti 17° ohne Hex - GH 1.5mm	MeoMulti 17° ohne Hex - GH 3.5mm
		S-008-581705	S-008-581715	S-008-581735
MeoMulti Klebebasis GH 0mm	S-008-780600	✓	✓	✓
MeoMulti Klebebasis GH 1,5mm	S-008-780604	✓	✓	✓



MEOMULTI 17° OHNE HEX – MEOMULTI KLEBEBASIS - VERBINDUNGSSCHRAUBE

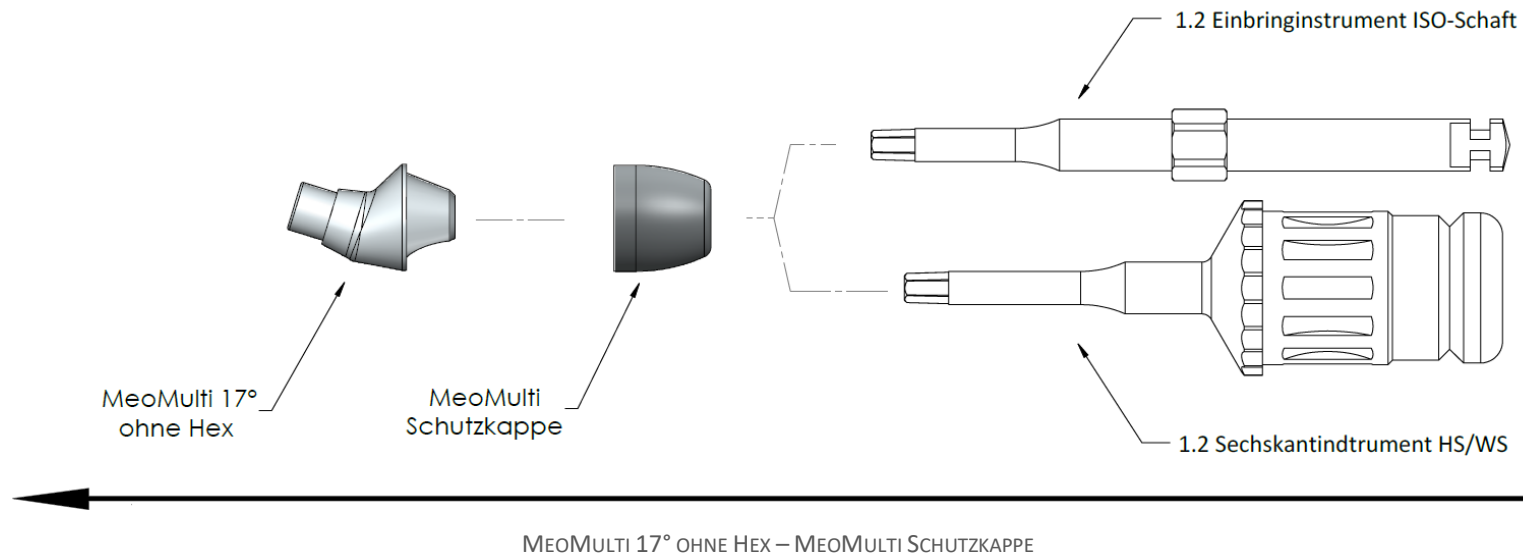
6 MEOMULTI 17° OHNE HEX – MEOLock 1MM

Produktbeschreibung	REF	MeoMulti 17° ohne Hex - GH 0.7mm	MeoMulti 17° ohne Hex - GH 1.5mm	MeoMulti 17° ohne Hex - GH 3.5mm
		S-008-581705	S-008-581715	S-008-581735
MeoMulti / MeoLock GH 1mm	S-040-494801	✓	✓	✓



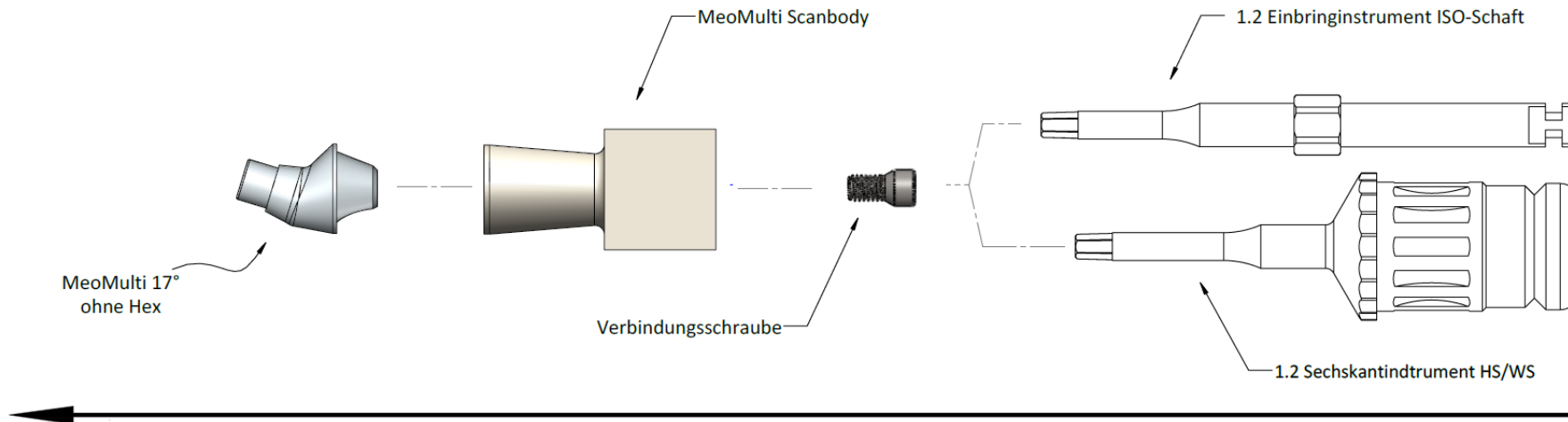
7 MEOMULTI 17° OHNE HEX – SCHUTZKAPPE

Produktbeschreibung	REF	MeoMulti 17° ohne Hex - GH 0.7mm	MeoMulti 17° ohne Hex - GH 1.5mm	MeoMulti 17° ohne Hex - GH 3.5mm
		S-008-581705	S-008-581715	S-008-581735
MeoMulti Schutzkappe	A-008-584801	✓	✓	✓



8 MEOMULTI 17° OHNE HEX – MEOMULTI SCANBODY

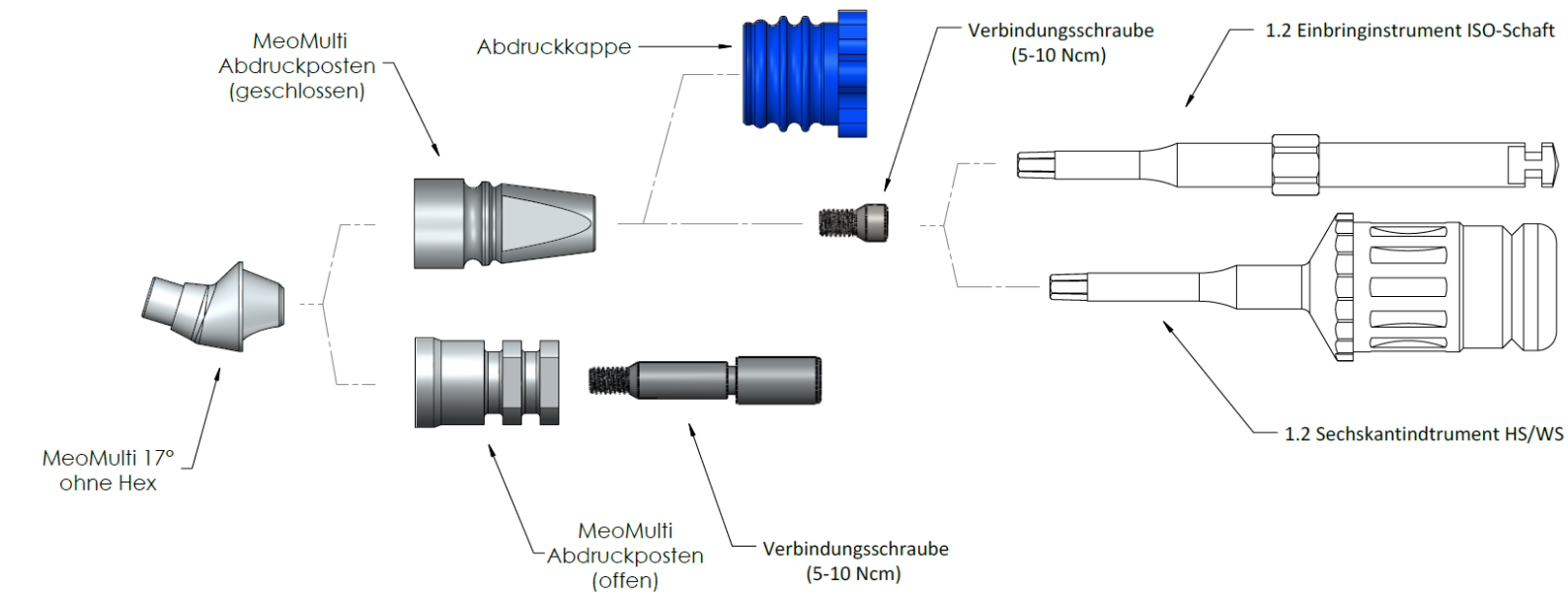
Produktbeschreibung	REF	MeoMulti 17° ohne Hex - GH 0.7mm	MeoMulti 17° ohne Hex - GH 1.5mm	MeoMulti 17° ohne Hex - GH 3.5mm
				S-008-581705
MeoMulti Schutzkappe	A-008-584801	✓	✓	✓



MEOMULTI 17° OHNE HEX – MEOMULTI SCANBODY

9 MEOMULTI 17° OHNE HEX – ABDRUCKPFOSTEN

Produktbeschreibung	REF	MeoMulti 17° ohne Hex - GH 0.7mm	MeoMulti 17° ohne Hex - GH 1.5mm	MeoMulti 17° ohne Hex - GH 3.5mm
		S-008-581705	S-008-581715	S-008-581735
MeoMulti Abdruckpfoste (geschlossen)	S-005-020202	✓	✓	✓
MeoMulti Abdruckpfoste (offen)	S-008-8000202	✓	✓	✓



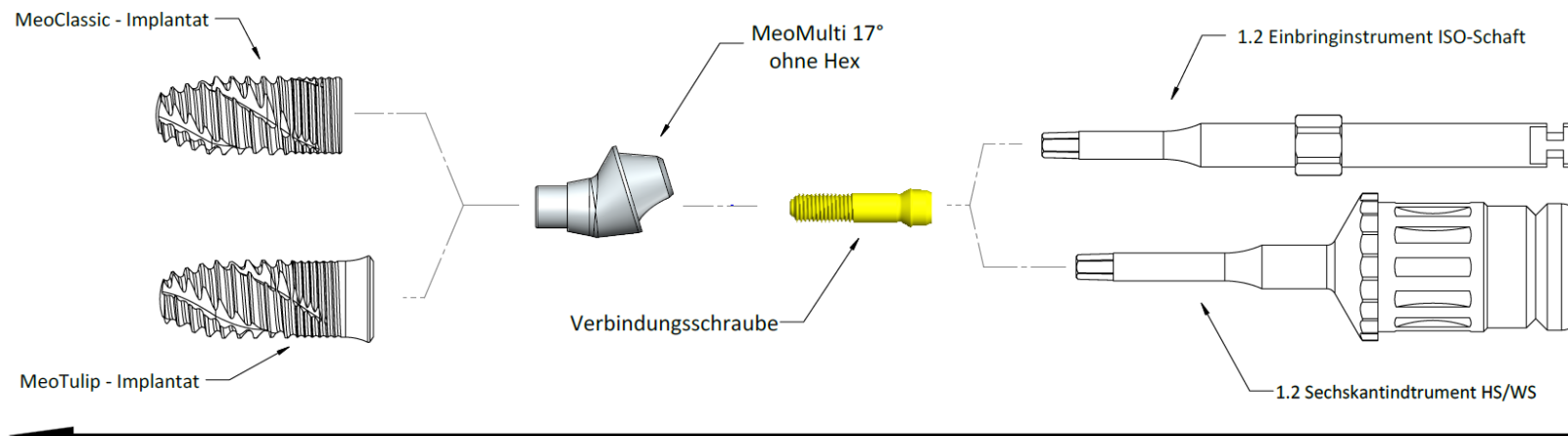
MEOMULTI 17° OHNE HEX • MEOMULTI OFFEN/GESCHLOSSEN

10 MEOMULTI 17° OHNE HEX / SECHSKANTINSTRUMENT

• FUNKTIONSDARSTELLUNG •

Produktbeschreibung	REF	Verbindungs- schraube
		A-008-070080
1.2 Sechskantinstrument ISO-Schaft - 40mm	A-015-097077	✓
1.2 Sechskantinstrument ISO-Schaft - 29mm	A-015-097088	✓
1.2 Sechskantinstrument ISO-Schaft - 25mm	A-015-097099	✓

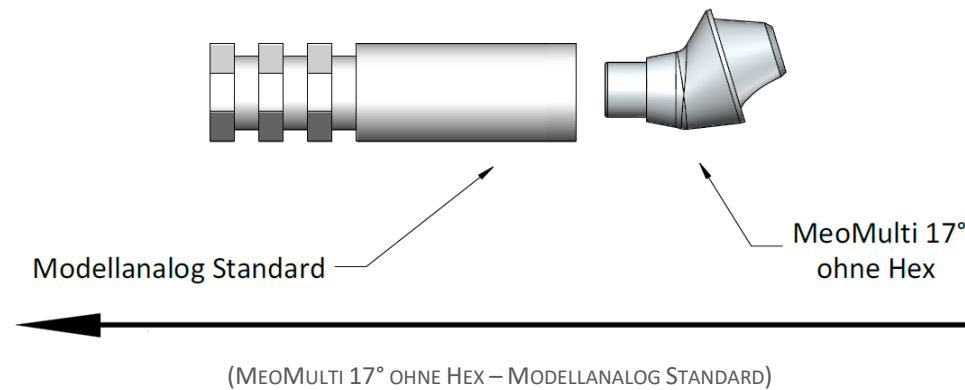
Produktbeschreibung	REF	Verbindungs- schraube
		A-008-070080
1.2 Sechskantinstrument HS/RS - 23mm	A-015-097023	✓
1.2 Sechskantinstrument HS/RS - 27mm	A-015-097025	✓
1.2 Sechskantinstrument HS/RS - 31mm	A-015-097027	✓



MEOMULTI 17° OHNE HEX – 1.4 SECHSKANTINSTRUMENT ISO-SCHAFT
 VERBINDUNGSSCHRAUBE / LABORSCHRAUBE (BLAU)

11 MEOMULTI 17° OHNE HEX – MODELLANALOG STANDARD

Produktbeschreibung	REF	MeoMulti 17° ohne Hex - GH 0.7mm	MeoMulti 17° ohne Hex - GH 1.5mm	MeoMulti 17° ohne Hex - GH 3.5mm
		S-008-581705	S-008-581715	S-008-581735
Modellanalog Standard	A-006-380600	✓	✓	✓



12 MEOMULTI 17° OHNE HEX – MODELLANALOG CAD/CAM

Produktbeschreibung	REF	MeoMulti 17° ohne Hex - GH 0.7mm	MeoMulti 17° ohne Hex - GH 1.5mm	MeoMulti 17° ohne Hex - GH 3.5mm
		S-008-581705	S-008-581715	S-008-581735
Modellanalog CAD/CAM	A-006-100200	✓	✓	✓

