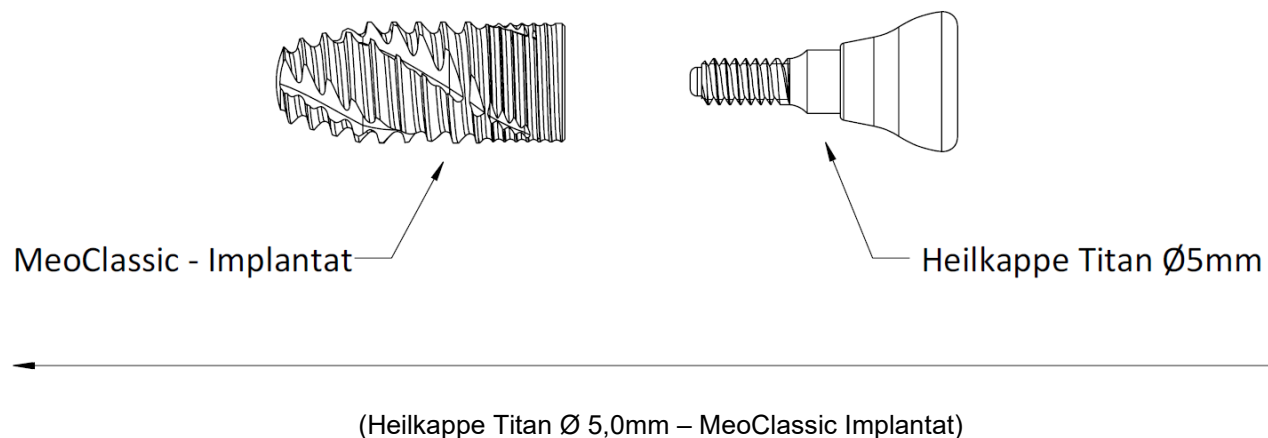


Inhaltsverzeichnis:

1	Heilkappe Titan Ø 5,0mm – MeoClassic Implantat	2
2	Heilkappe Titan Ø 5,0mm – MeoTulip Implantat	3
3	Heilkappe Titan Ø 5,0mm – 1.4 Sechskantinstrument ISO-Schaft • Funktionsdarstellung •	5
4	Heilkappe Titan Ø 5,0mm – 1.4 Sechskantinstrument HS/RS • Funktionsdarstellung •	6

1 HEILKAPPE TITAN Ø 5,0MM – MEOCLASSIC IMPLANTAT

Produktbeschreibung	REF	Heilkappe Ø 5mm GH 1mm	Heilkappe Ø 5mm GH 2mm	Heilkappe Ø 5mm GH 3mm	Heilkappe Ø 5mm GH 4mm	Heilkappe Ø 5mm GH 5mm	Heilkappe Ø 5mm GH 6mm
		A-004-470001	A-004-470002	A-004-470003	A-004-470004	A-004-470005	A-004-470006
MeoClassic Ø3,5x8mm	S-001-350080	✓	✓	✓	✓	✓	✓
MeoClassic Ø3,5x10mm	S-001-350100	✓	✓	✓	✓	✓	✓
MeoClassic Ø3,5x12,5mm	S-001-350125	✓	✓	✓	✓	✓	✓
MeoClassic Ø3,5x15mm	S-001-350150	✓	✓	✓	✓	✓	✓
MeoClassic Ø3,8x8mm	S-001-380080	✓	✓	✓	✓	✓	✓
MeoClassic Ø3,8x10mm	S-001-380100	✓	✓	✓	✓	✓	✓
MeoClassic Ø3,8x12,5mm	S-001-380125	✓	✓	✓	✓	✓	✓
MeoClassic Ø3,8x15mm	S-001-380150	✓	✓	✓	✓	✓	✓
MeoClassic Ø4,2x8mm	S-001-420080	✓	✓	✓	✓	✓	✓
MeoClassic Ø4,2x10mm	S-001-420100	✓	✓	✓	✓	✓	✓
MeoClassic Ø4,2x12,5mm	S-001-420125	✓	✓	✓	✓	✓	✓
MeoClassic Ø4,2x15mm	S-001-420150	✓	✓	✓	✓	✓	✓
MeoTulip Ø4,8x6mm	S-001-480060	✓	✓	✓	✓	✓	✓
MeoClassic Ø4,8x8mm	S-001-480080	✓	✓	✓	✓	✓	✓
MeoClassic Ø4,8x10mm	S-001-480100	✓	✓	✓	✓	✓	✓
MeoClassic Ø4,8x12,5mm	S-001-480125	✓	✓	✓	✓	✓	✓
MeoClassic Ø4,8x15mm	S-001-480150	✓	✓	✓	✓	✓	✓
MeoTulip Ø6,0x6mm	S-001-600060	✓	✓	✓	✓	✓	✓
MeoClassic Ø6,0x8mm	S-001-600080	✓	✓	✓	✓	✓	✓
MeoClassic Ø6,0x10mm	S-001-600100	✓	✓	✓	✓	✓	✓



2 HEILKAPPE TITAN Ø 5,0MM – MEOTULIP IMPLANTAT

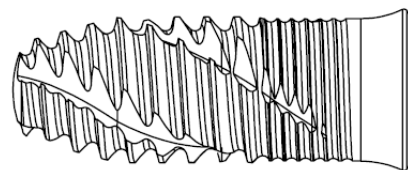
Produktbeschreibung	REF	Heilkappe Ø 5mm GH 1mm	Heilkappe Ø 5mm GH 2mm	Heilkappe Ø 5mm GH 3mm	Heilkappe Ø 5mm GH 4mm	Heilkappe Ø 5mm GH 5mm	Heilkappe Ø 5mm GH 6mm
		A-004-470001	A-004-470002	A-004-470003	A-004-470004	A-004-470005	A-004-470006
MeoTulip Ø3,5 x 8mm	S-002-350080	✓	✓	✓	✓	✓	✓
MeoTulip Ø3,5 x 10mm	S-002-350100	✓	✓	✓	✓	✓	✓
MeoTulip Ø3,5 x 12,5mm	S-002-350125	✓	✓	✓	✓	✓	✓
MeoTulip Ø3,8 x 8mm	S-002-380080	✓	✓	✓	✓	✓	✓
MeoTulip Ø3,8 x 10mm	S-002-380100	✓	✓	✓	✓	✓	✓
MeoTulip Ø3,8 x 12,5mm	S-002-380125	✓	✓	✓	✓	✓	✓
MeoTulip Ø4,2 x 8mm	S-002-420080	✓	✓	✓	✓	✓	✓
MeoTulip Ø4,2 x 10mm	S-002-420100	✓	✓	✓	✓	✓	✓
MeoTulip Ø4,2 x 12,5mm	S-002-420125	✓	✓	✓	✓	✓	✓

HEILKAPPE TITAN Ø 5,0MM

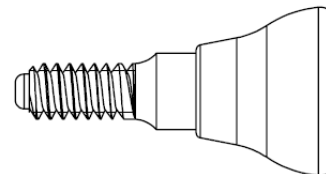
KOMPATIBEL - EIGENSCHAFTEN
 HEILKAPPE TITAN Ø 5,0MM
 VERSION: 001
 Seite 4 von 6



MeoTulip Ø4,8 x 6mm	S-002-480060	✓	✓	✓	✓	✓	✓
MeoTulip Ø4,8 x 8mm	S-002-480080	✓	✓	✓	✓	✓	✓
MeoTulip Ø4,8 x 10mm	S-002-480100	✓	✓	✓	✓	✓	✓
MeoTulip Ø4,8 x 12,5mm	S-002-480125	✓	✓	✓	✓	✓	✓
MeoTulip Ø6,0 x 6mm	S-002-600060	✓	✓	✓	✓	✓	✓
MeoTulip Ø6,0 x 8mm	S-002-600080	✓	✓	✓	✓	✓	✓
MeoTulip Ø6,0 x 10mm	S-002-600100	✓	✓	✓	✓	✓	✓



MeoTulip - Implantat



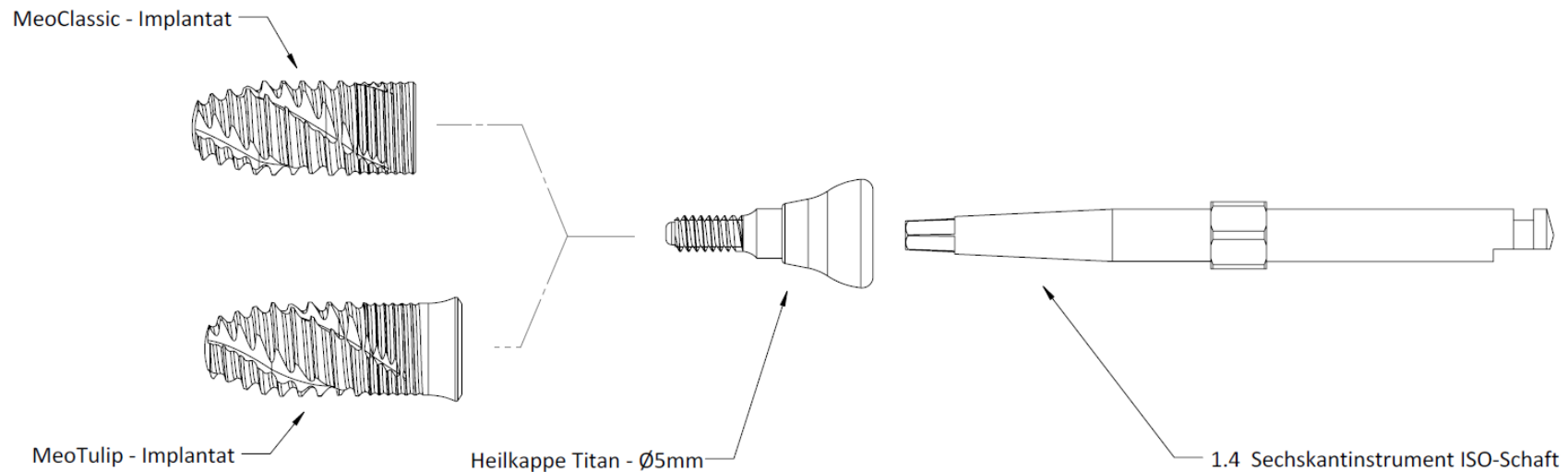
Heilkappe Titan Ø5mm

(Heilkappe Titan Ø 5,0mm – MeoTulip Implantat)

3 HEILKAPPE TITAN Ø 5,0MM – 1.4 SECHSKANTINSTRUMENT ISO-SCHAFT

• FUNKTIONSDARSTELLUNG •

Produktbeschreibung	REF	Heilkappe Ø 5mm GH 1mm	Heilkappe Ø 5mm GH 2mm	Heilkappe Ø 5mm GH 3mm	Heilkappe Ø 5mm GH 4mm	Heilkappe Ø 5mm GH 5mm	Heilkappe Ø 5mm GH 6mm
		A-004-470001	A-004-470002	A-004-470003	A-004-470004	A-004-470005	A-004-470006
1.4 Sechskantinstrument ISO-Schaft - 45mm	A-015-099077	✓	✓	✓	✓	✓	✓
1.4 Sechskantinstrument ISO-Schaft - 28mm	A-015-099088	✓	✓	✓	✓	✓	✓
1.4 Sechskantinstrument ISO-Schaft - 24mm	A-015-099099	✓	✓	✓	✓	✓	✓

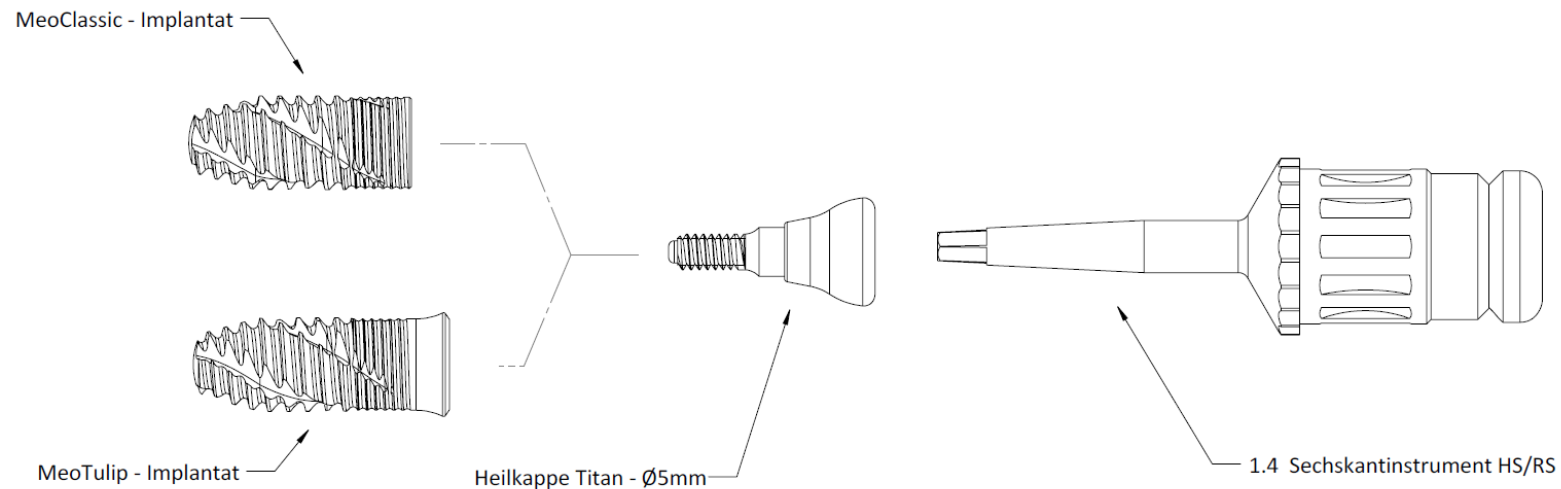


(Heilkappe Titan Ø 5,0mm – 1.4 Sechskantinstrument ISO-Schaft)

4 HEILKAPPE TITAN Ø 5,0MM – 1.4 SECHSKANTINSTRUMENT HS/RS

• FUNKTIONSDARSTELLUNG •

Produktbeschreibung	REF	Heilkappe Ø 5mm GH 1mm	Heilkappe Ø 5mm GH 2mm	Heilkappe Ø 5mm GH 3mm	Heilkappe Ø 5mm GH 4mm	Heilkappe Ø 5mm GH 5mm	Heilkappe Ø 5mm GH 6mm
		A-004-470001	A-004-470002	A-004-470003	A-004-470004	A-004-470005	A-004-470006
Sechskantinstrument HS/RS - 9.5mm	A-015-099023	✓	✓	✓	✓	✓	✓
Sechskantinstrument HS/RS - 13.5mm	A-015-099025	✓	✓	✓	✓	✓	✓
Sechskantinstrument HS/RS - 17.5mm	A-015-099025	✓	✓	✓	✓	✓	✓



Heilkappe Titan Ø 5,0mm – 1.4 Sechskantinstrument HS/RS